

RACE CAR COMPETITION  
**STORM**  
**RIDERS**



**4X4** Four Wheel  
Drive

specialty MOUNTAIN CLIMBING

**36** KM/H  
MAXIMUM SPEED

**2.4** Ghz  
Version

## ⚠ Caution

- (1). Small parts. Keep out of reach of small children.
- (2). Please operate in an open field without any wave interference.
- (3). When transmitter is low in power, please stop and change batteries immediately.
- (4). Exhaust battery should be safety dispose, please do not discard at will.
- (5). Please store the car and the transmitter in a dry and cool environment.
- (6). Keep away from fire, hot or humid environment.
- (7). If car battery is wet, be sure to wipe and dry it completely to avoid any damage.

## 1. Product Configuration



Monster Truck



Transmitter



User Manual



USB Charger



7.4V 1500mAh  
Li-ion Battery Pack



Phillips Screwdriver



Clips x 4

Pictures for reference only, please subject to the actual products.

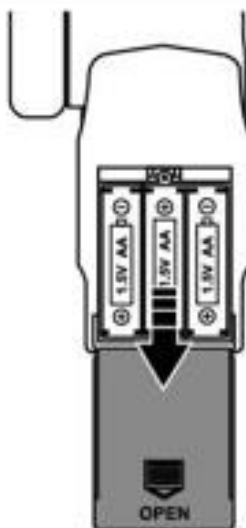
## 2. Install Transmitter Batteries

### Replacing batteries of the transmitter

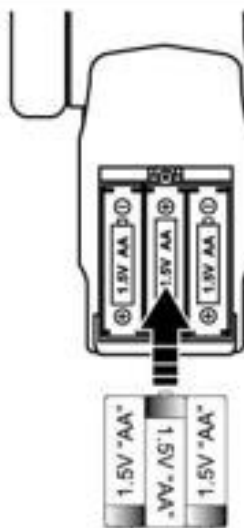
1. Remove the battery cover by loosening the screw on the back of the transmitter with the included screwdriver. (Figure1)
2. Install 3x1.5V AA batteries (not included) in correct polarities. (Figure2)
3. Close the battery cover and tighten the screw. (Figure3)

### ⚠ Notice:

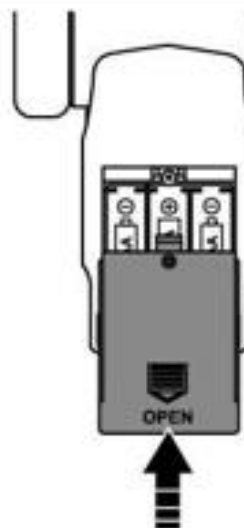
1. When installing batteries, please be sure to match the polarities labeled on the battery holder.
2. Do not mix old and new batteries.
3. Do not mix different type of batteries.
4. Please remove the batteries if long time do not use the transmitter.



(Figure1)



(Figure2)

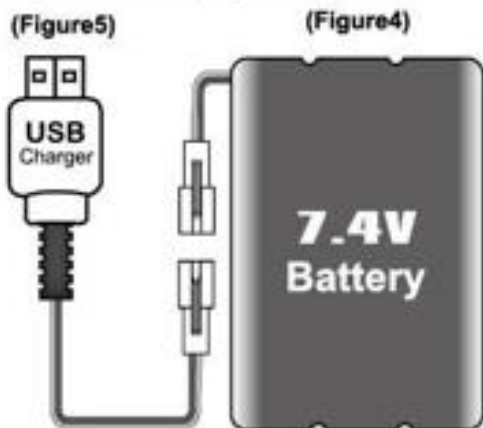


(Figure3)

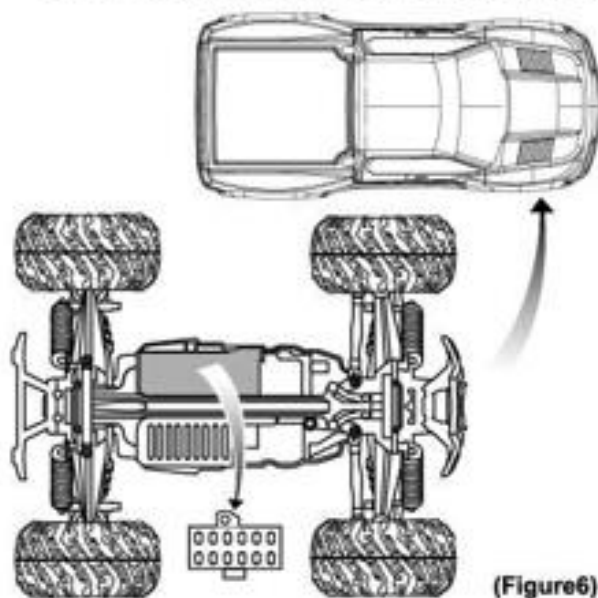


### 3. Charge and Install Rechargeable Battery Pack

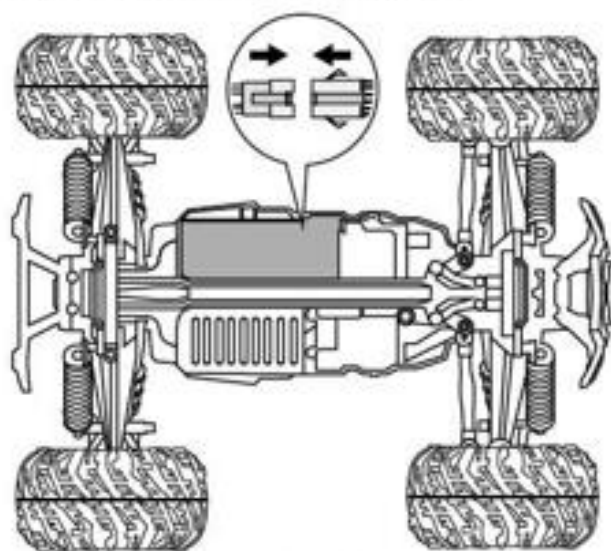
- (1).a) Insert the USB charging cable to the USB port of the computer or mobile phone charger so that the red USB indicator light is kept on.  
b) Connect the USB charging cable (Figure 5) to the battery pack (Figure 4) as shown in the picture so that the green USB indicator light flashes slowly, indicating that it is charging.  
c) About 3 hours later, the green indicator light is kept on, indicating that the charging is completed.



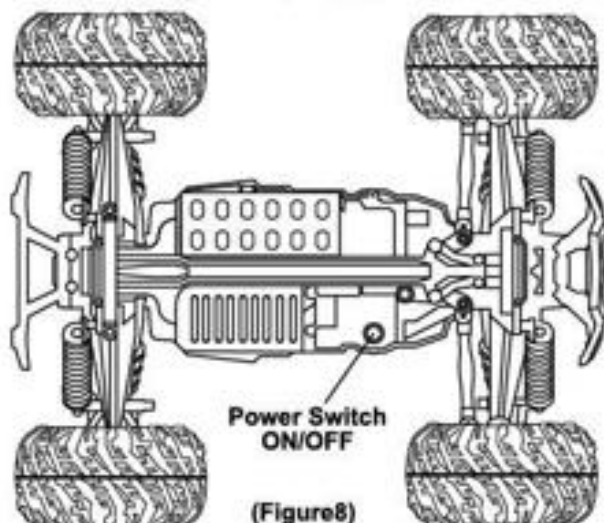
- (2). Remove the car shell and loosen the clips of the battery cover on the chassis of the car, then remove the battery cover. (Figure 6)



- (3). Connect the sockets of the rechargeable battery pack and the car in correct polarities, then insert the battery into the battery compartment. (Figure 7)



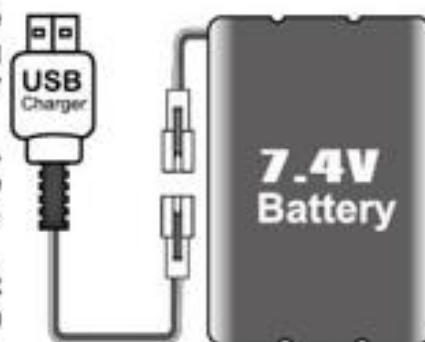
- (4). Close and secure the battery cover by tightening the clips. (Figure 8)



- Press the power switch of the car for 0.5 seconds to turn on the power, and press the power switch of the car for about 3 seconds to turn off the power.

### 4. Charger/Battery Pack/Circuit board Precautions

- (1) To prevent the Li-ion battery pack from being charged over voltage, which could lead to damage or explosion, the charger uses a voltage limit protection device. And to maintain the battery pack's charging capacity and performance, we suggest not to charge it continuously for more than 24 hours.  
(2) The battery uses a low voltage and power over-discharge protection device. When the battery is over-discharged, a re-charge is required to activate the battery again. It is recommended that you remove the battery and turn the switch to "off" position when the car is not being used.  
(3) The circuit board uses an overheating protection function. When the circuit board is overheated, the car will be disabled (not moving forward/backward) for 3-6 seconds before being restored.

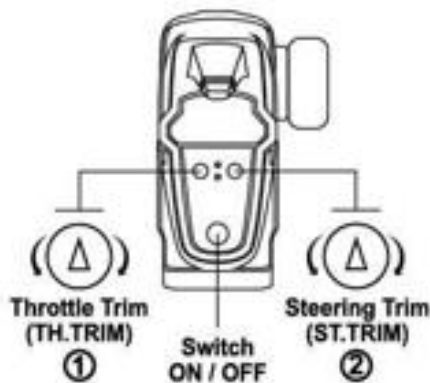


## 5. Control Methods

### (1). Function introduction of transmitter



- ① Turn Left / Turn right  
② Forward / Backward



- It is recommended that beginners slow down the speed of the car to learn and operate.

① Throttle Trim (TH.TRIM):  
When turning the throttle trim clockwise, the speed of the car will be faster.  
When turning the throttle trim anticlockwise, the speed of the car will be slower.

② Steering Trim (ST.TRIM):  
When the car left driving, steering trim should be adjusted clockwise.  
When the car right driving, steering trim should be adjusted anticlockwise.



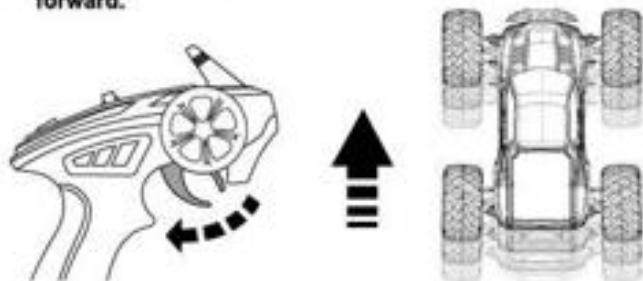
- Please rotate steering trim slowly to adjust. Normally, the steering trim is adjusted until the car track straight.

### (2). Pair the frequency of the car and the transmitter

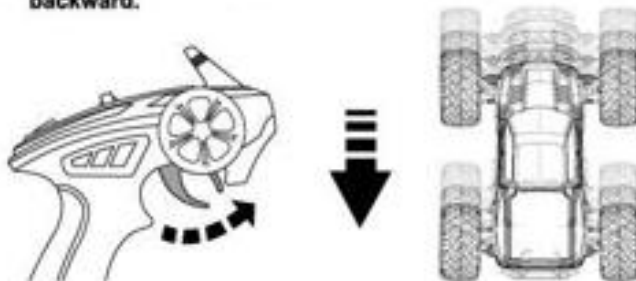
- (a). When being paired for the first time, both the car and the transmitter have to be turned on within 3 seconds to pair the frequency. (During pairing, the LEDs on the car and the transmitter will flash; they will turn solid once pairing is successful)  
(b). When pairing the frequency, please don't let anything touch accelerator, ensure that the accelerator position does not appear deviation.  
(c). In case pairing is not successful, please turn off both the car and the transmitter, and repeat the pairing process above.

### (3). Controlling the car

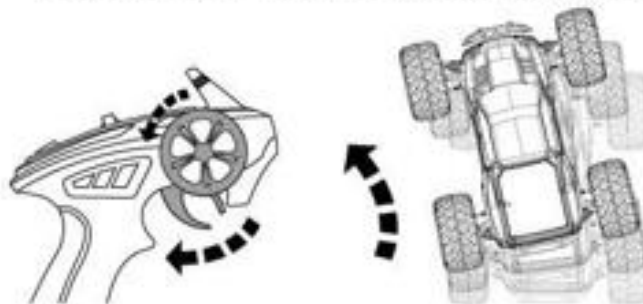
- (a). Pull the throttle trigger backward and the car will move forward.



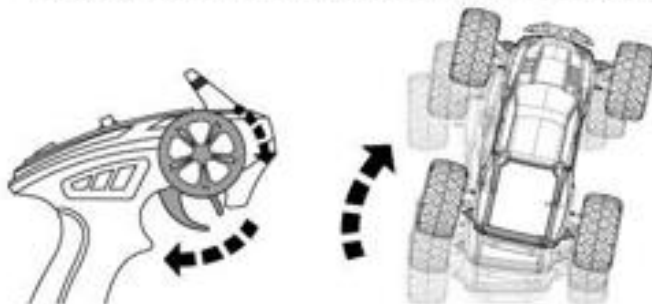
- (b). Push the throttle trigger forward and the car will move backward.



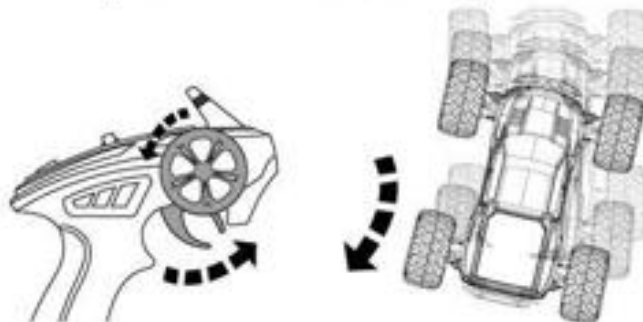
- (c). Pull the trigger backward and turn the steering wheel to the left, then the car will turn left while moving forward.



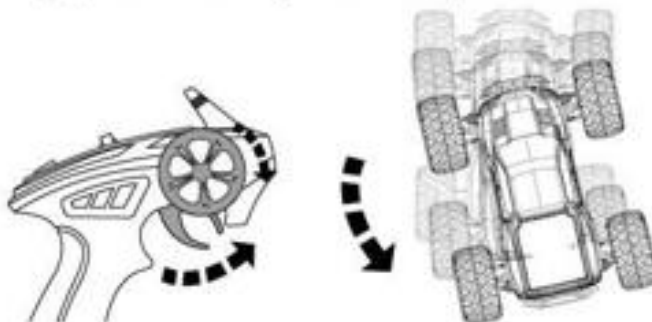
- (d). Pull the trigger backward and turn the steering wheel to the right, then the car will turn right while moving forward.



- (e). Pull the trigger forward and turn the steering wheel to the left, the car will turn left while moving backward.



- (f). Pull the trigger forward and turn the steering wheel to the right, the car will turn right while moving backward.



NOTE: ① LED will flash when power is low on the car or the transmitter, please recharge or replace the batteries before continuing.  
② If there is no operation for about 8 minutes, the car will go into sleep state; if you want to operate again, please turn off the car power and turn it on again.